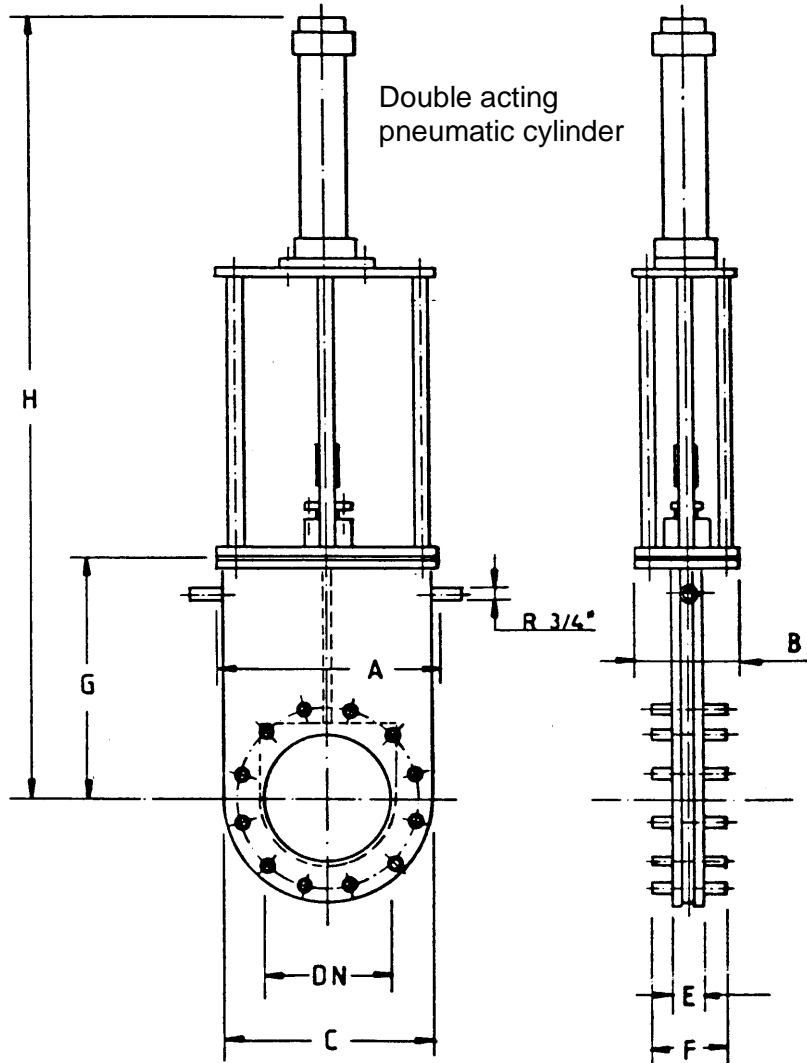


# Laun

MASCHINEN- UND APPARATEBAU GMBH

WALDSTRASSE 71  
 D-65451 KELSTERBACH  
 GERMANY  
 TELEFON: +49-6107-98669-0  
 TELEFAX: +49-6107-98669-20  
 INTERNET: [www.laun-online.com](http://www.laun-online.com)  
 EMAIL: [info@laun-online.com](mailto:info@laun-online.com)

## SLIDE GATE HT (WATERCOOLED)



Connecting flanges optional PN6 or PN10 according to DIN 2501.

Stuffing box optional with inlet for locking air.

Actuating also possible by handwork or by actuating unit.

DN	A	B	C	E	F	G	H
150	305	200	285	63	163	300	1148
200	360	200	340	63	173	375	1323
250	415	200	395	63	173	450	1498
300	465	200	445	63	173	525	1673
350	525	220	505	68	188	605	1920
400	585	220	565	68	188	680	2095
500	690	220	670	68	198	830	2445

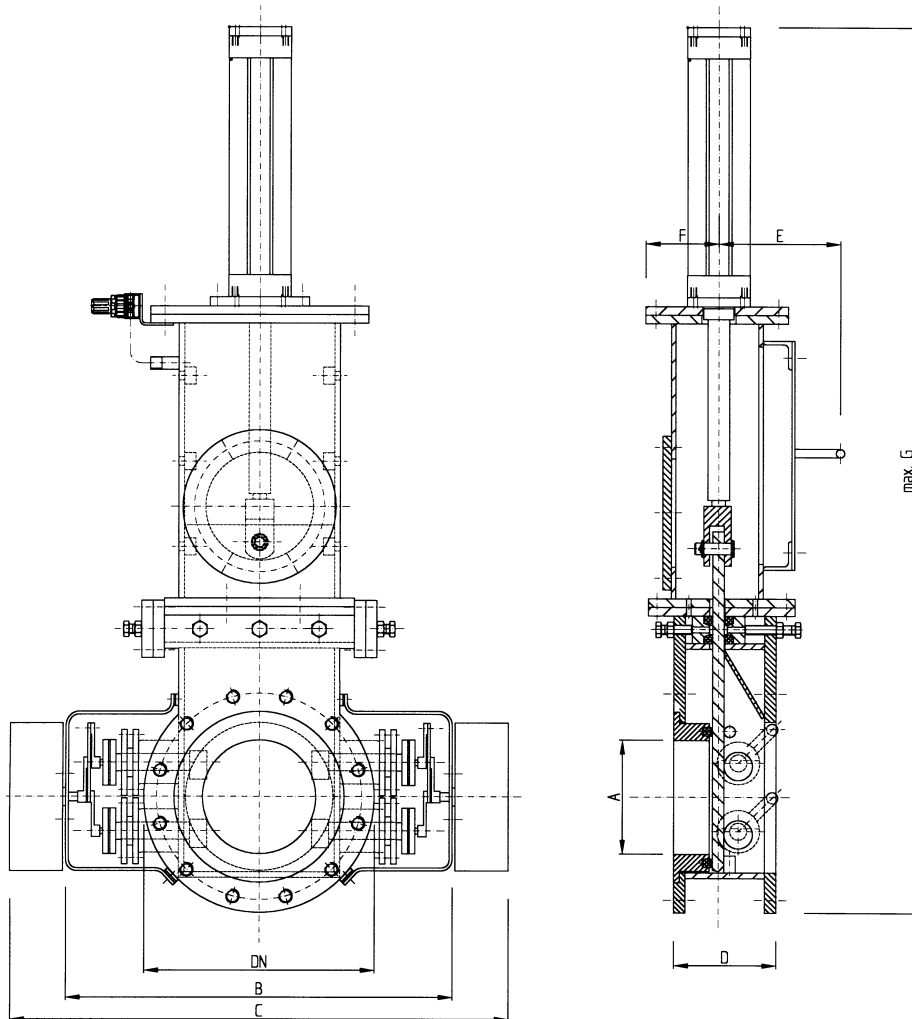
# Laun

MASCHINEN- UND APPARATEBAU GMBH

WALDSTRASSE 71  
D-65451 KELSTERBACH  
GERMANY  
TELEFON: +49-6107-98669-0  
TELEFAX: +49-6107-98669-20  
INTERNET: [www.laun-online.com](http://www.laun-online.com)  
EMAIL: [info@laun-online.com](mailto:info@laun-online.com)

## SLIDE GATE HT

OPERATING TEMPERATURE UP TO 1000 ° C (MEDIUM)



- Materials and connecting dimensions acc. to customer requirements
- Max. medium-temperature approx. 1000 ° C
- All types of actuators possible
- Slide plate sealed completely at the entrance to the product area with adjustable packing seals
- Additional sealing frame at higher differential pressures (inlet)
- Gate can be changed in assembled position
- Optional:
  - various operation controls
  - pressure monitoring
  - reduced closing time (emergency cut off gate)

DN	A	B	C	D	E	F	G
200	150	640	850	180	250	150	1750
250	200	685	900	180	250	150	1900
400	300	790	1000	180	250	150	2200
500	400	890	1100	180	250	150	2500

(Maßänderungen vorbehalten)